



**ATD-7332B**

# **3-1/2 Ton Swift Lift™ Hydraulic Service Jack Owner's Manual**



## **Features**

Features:

- Exclusive Swift Lift™ Technology offers a quicker lift for professional performance
- Pump pistons are shielded to prevent contaminants from damaging the hydraulic system
- Internal by-pass valve protects the hydraulic system from overpumping
- U-Joint release mechanism provides precise control of load descent in any handle position
- Heavy gauge construction features flanged side plates for added strength
- Protective foam cover on handle prevents vehicle damage
- Equipped with (2) extra-wide steel casters and (2) swivel casters with bearings for stability and easy mobility
- Rubber saddle pad protects the vehicle from damage during lifting
- Meets or exceeds ASME PASE 2024 standards

## **Specifications**

- Capacity: 3.5 Tons
- Min. Height: 3-3/4"
- Max Height: 20-1/2"
- Saddle Diameter: 4-5/16"
- Handle Length: 45-1/4"
- Jack Size: 27-3/16" x 14-1/4" x 6-1/8"
- Net Weight: 85.9 lbs.

## 3-1/2 TON FLOOR JACK SAFETY WARNING AND PRECAUTIONS



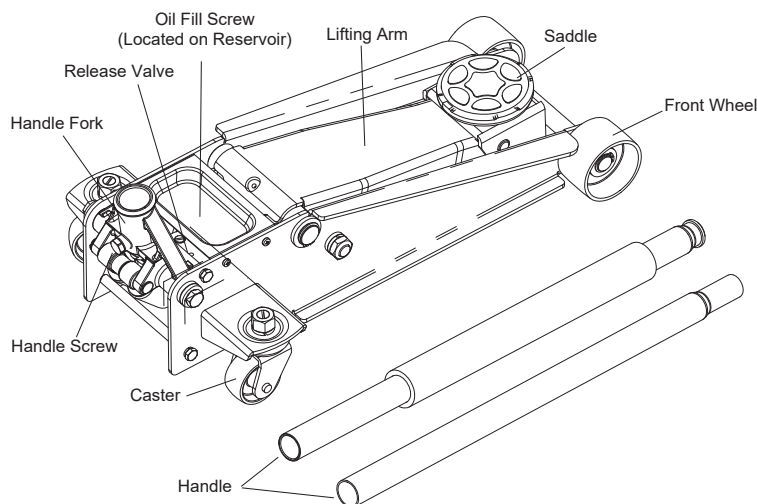
This is the safety notification symbol. This symbol will notify you of any potential injury hazards. Please follow all instructions that follow this symbol to avoid possible injuries or death.

**WARNING**

This is the warning notification symbol. This symbol indicates a hazardous situation. If proper steps are not followed, death or serious injury could result.

### WARNING

- Study, understand, and follow all instructions before operating this jack.
- Inspect the jack before each use making sure it is not damaged, in poor condition, leaking hydraulic fluid, unstable or, has loose or missing hardware or components.
- Do not use this jack to dolly a vehicle.
- Do not exceed rated capacity.
- Use only on a hard, level surface capable of supporting the load.
- Lift only on areas of the vehicle as specified by the vehicle manufacturer.
- Only attachments and/or adapters supplied by the manufacturer shall be used.
- Center load on saddle and make sure setup is stable to prevent jack failure and/or loss of load.
- Support the vehicle with a matched set of jack stands immediately after lifting. Never get under an unsupported vehicle.
- Always lower jack in a slow, controlled rate of descent.
- No alterations or modifications should be made to this jack.
- Failure to heed these warnings may result in property damage and/or personal injury or death.
- **⚠️WARNING:** Cancer and reproductive harm – [www.P65Warnings.ca.gov](http://www.P65Warnings.ca.gov)



## SETUP

### Assembly

1. This jack consists of the following components: Jack Body & Handle.
2. The handle fork is pressed down and supported by nylon supporting block in the package during transportation. Before assembling, please press down on the handle fork, and remove the nylon shipping support block.
3. Undo the screw in the handle socket, until it no longer protrudes into the handle socket.
4. Insert the pump handle into the handle socket hole completely.
5. Ensure that the handle is correctly inserted into the socket, then tighten the handle socket screw. Pull up on the handle to make sure that the tip of the bolt has seated inside the groove near the bottom of the handle. If the bolt is seated properly, the handle will not pull out of the socket. Also make sure that the handle can be turned smoothly and easily once the handle socket screw has been tightened.

### Purging Air from Hydraulic System

If the jack does not raise to maximum height or the pump strokes seem irregular there is probably air trapped in the hydraulic system, which can happen during transportation and is perfectly normal. To purge the air please do the following:

- A. Turn the pump handle counterclockwise two full turns from its closed position.
- B. Quickly pump the jack 10 full strokes.
- C. Turn the pump handle clockwise until it stops and proceed to pump the jack to maximum height. If the condition seems better but still exists, repeat steps a through c.

## OPERATING INSTRUCTIONS

Become familiar with jack's operating components. The pump handle must be rotated in a clockwise direction until it stops in order to pump the jack up to its desired height. Lowering the jack may be accomplished by slowly turning the pump handle in a counterclockwise direction. The more the handle is turned in a counterclockwise direction the faster the jack will lower. It will never be necessary to turn the pump handle more than 2 full complete counterclockwise revolutions to lower the jack.

### **WARNING** ⚠ **To Raise a Vehicle**

1. The vehicle should be on a flat, level surface.
2. Chock the vehicle wheels that will not be lifted off the ground. Turn the vehicle engine off and make sure that the vehicle transmission is in park (automatic), or in gear (manual) and then apply the emergency brake before lifting the vehicle.
3. Determine the vehicle's proper lift point and position the jack's saddle near that lift point. Pump the jack so the saddle makes contact with the lift point and the lift point is centered and secure on the saddle. If the saddle is not centered, lower the jack and make the proper alignment of saddle with the vehicle lift point.
4. Pump the jack so the vehicle lift point is raised slightly higher than the desired work height. After reaching the desired height, immediately position a matched pair of jack stands at the vehicle's designated support locations. Raise the stand's support columns so they make as close a contact as possible with the vehicle's designated support locations.
5. Slowly lower the vehicle onto the jack stands making sure the setup looks stable. If there is any unstable condition, raise the vehicle off the stands and correct the setup.

### **WARNING** ⚠ **To Lower a Vehicle**

1. Follow steps 1 through 3 under "To Raise a Vehicle."
2. Raise the vehicle high enough to clear the jack stands and remove the jack stands from under the vehicle.
3. Slowly lower the vehicle to the ground.

## MAINTENANCE

1. The jack owner should determine a maintenance schedule based on jack usage and shop conditions.
2. The jack should be stored in a well-protected environment and not left out in the weather. Any inoperable jack resulting from rust or corrosion is not eligible for warranty consideration.
3. The jack has a warning label which must be legible at all times. Any damaged or unreadable warning label must be replaced with a new label.
4. The jack should be inspected before each workday to make sure it is in its proper working condition. Any jack that is damaged, has loose or missing components or hydraulic leaks must be removed from until repaired or replaced.
5. The jack should be lubricated as determined by the maintenance schedule. A white lithium base grease should be used on all jack chassis linkages, inside handle yoke, rear caster wheels, front wheels, and handle base roller. Zerk fittings, if provided, should be lubed. Any jack found inoperable due to insufficient or no lubrication are not eligible for warranty consideration.
6. There should be no reason to top off the jack's hydraulic fluid reservoir. If the jack is leaking fluid, it must be serviced by a knowledgeable repair technician. After repairs are completed, the jack should be refilled with a high quality, non-detergent hydraulic jack oil – preferably with a 22 viscosity rating.

### **Adding Hydraulic oil**

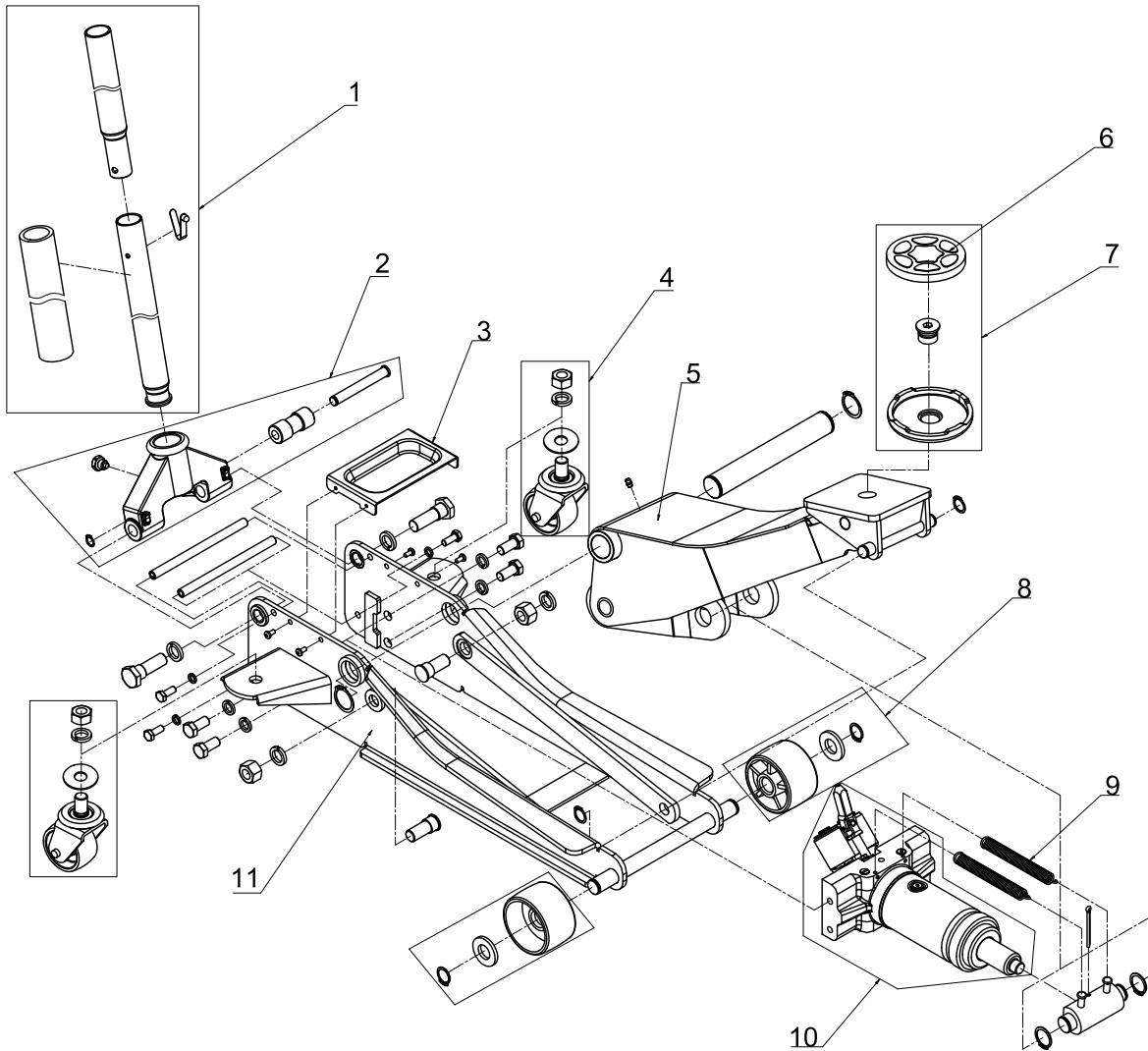
1. If equipped, remove the jack's cover plate located in front of the handle yoke.
2. Open the jack's release valve by rotating the jack handle two full counterclockwise rotations. The jack should be lowered all the way. Lower the pump handle to the horizontal position so it is level with the ground.
3. Remove the reservoir fill plug or screw. Look down inside the reservoir - the fluid level should be no higher than the top of the cylinder inside the reservoir. Add or remove fluid to the proper level accordingly. Jack should be refilled with a high quality, non-detergent hydraulic jack oil - preferably with a 22 viscosity rating. (Improper fluid levels can cause pump problems.)
4. After adding oil, hold down the saddle and gently pump the jack handle. If there is air in the system, bubbles will surface. Continue adding a small amount of jack oil and repeat the pumping process. Continue this process until no bubbles are seen during the pumping process. Make sure the oil level is at the top of the cylinder inside the reservoir plug hole.
5. Replace reservoir fill screw or plug and conduct air purging procedure as described in **SETUP** instructions.

## **TROUBLESHOOTING**

<b>Trouble</b>	<b>Cause</b>	<b>Solution</b>
Jack does not lift	Release valve is open	Verify that the release valve is closed. Release valve may need cleaning
	Low/no hydraulic fluid in reservoir	Fill with approved hydraulic fluid and bleed system
	Air trapped in hydraulic system	Follow the purge air procedure
	Load is above capacity of jack	Use the correct equipment
	Delivery valve and/or bypass valve not working correctly	Clean to remove dirt or foreign objects from the system. Replace hydraulic fluid.
	Seals worn or defective	Replace seals
Jack lifts only partially	Too much or not enough hydraulic fluid	Check hydraulic fluid level
Jack advances slowly	Pump not working correctly	Rework or replace pump
	Seals leaking	Replace seals/O-rings
Jack lifts load, but doesn't hold	Cylinder packing is leaking	Replace packing
Jack leaks hydraulic fluid	Valve not working correctly. (Suction, delivery, release or bypass)	Inspect valves. Replace if necessary
	Air trapped in hydraulic system	Follow the purge air procedure
Jack will not retract	Release valve is closed	Open the release valve by turning the handle counterclockwise (CCW). Maybe necessary to clean release valve

## REPLACEMENT PARTS

Not all components of this product are replacement items, but are illustrated as a convenient reference for position in the assembly sequence. When ordering parts, give model number, part number and description. Call your distributor for current pricing:



ITEM#	ORDERING PART#	DESCRIPTION	QTY
1	PRT7332B-01	HANDLE ASSEMBLY WITH FOAM	1
2	PRT7332B-02	HANDLE FORK ASSEMBLY	1
3	PRT7332B-03	TOOL PLATE	1
4	PRT7332B-04	REAR CASTER ASSEMBLY	2
5	PRT7332B-05	LIFTING ARM	1
6	PRT7332B-06	RUBBER SADDLE PAD	1
7	PRT7332B-07	SADDLE ASSEMBLY	1
8	PRT7332B-08	FRONT WHEEL ASSEMBLY	2
9	PRT7332B-09	RETURN SPRING	2
10	PRT7332B-10	PUMP ASSEMBLY	1
11	PRT7332B-11	SIDE FRAME	1
N/S	PRT7332B-SK	SEAL KIT	1



# ATD<sup>®</sup>

## WARRANTY

### 1 YEAR LIMITED WARRANTY

**THIS WARRANTY AND CONFIRMED RECEIPT(S) SHOULD BE RETAINED BY THE CUSTOMER AT ALL TIMES**

PURCHASED FROM: \_\_\_\_\_

DATE PURCHASED: \_\_\_\_\_

INVOICE/RECEIPT NUMBER: \_\_\_\_\_

Your ATD-7332B is warranted for a period of 12 months from the original purchase date.

For a period of one (1) year from your purchase date, ATD Tools, Inc. will repair or replace (at its option) without charge, your ATD product if it was purchased new and the product has failed due to a defect in material or workmanship which you experienced during normal use of the product. This limited warranty is your exclusive remedy.

To access the benefits of this warranty, contact your supplier, or point of sale directly. You may be advised to return the product under warranty, freight prepaid, to your supplier for warranty determination.

If this ATD product is altered, abused, misused, modified, or undergoes service by an unauthorized technician, your warranty will be void. We are not responsible for damage to ornamental designs you place on this ATD product and such ornamentation should not cover any warnings or instructions or they may void the warranty. This warranty does not cover scratches, superficial dents, and other abrasions to the paint finish that occur under normal use. It also does not cover normal wear items such as but not limited to brushes, batteries, drill bits, drill chucks, pads or blades.

Subject to the law in your state:

- (1) Your sole and exclusive remedy is repair or replacement of the defective product as described above.
- (2) ATD is not liable for any incidental damages, including but not limited to, lost profits and unforeseeable consequences.
- (3) The repair and replacement of this product under the express limited warranty described above is your exclusive remedy and is provided in lieu of all other warranties, express or implied. All other warranties, including implied warranties and warranties of merchantability or fitness for a particular purpose are disclaimed and, if disclaimer is prohibited, these warranties are limited to one year from your date of purchase of this product.

Some states' laws do not allow limited durations on certain implied warranties and some states' laws do not allow limitations on incidental or consequential damages. You should consult the law in your state to determine how your rights may vary.

[Affix receipt or invoice here for safe keeping]