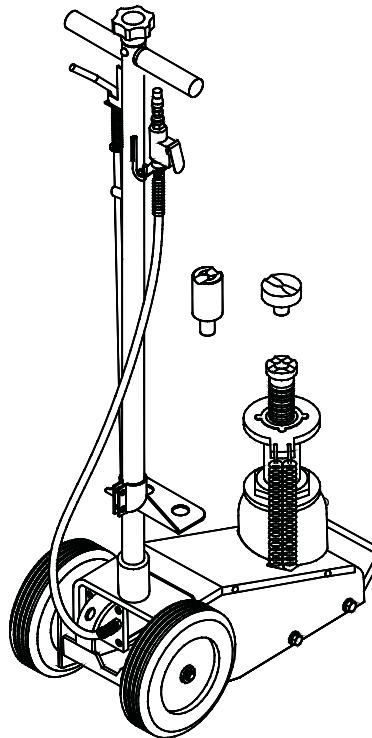




## ATD-7328 22-Ton Low Profile Axle Jack Owner's Manual



**Capacity: 22 Tons**

### Features:

- Low pickup height and maximum lift height
- Large steel wheels for easy positioning
- Sturdy, one-piece handle
- Self-returning spring for ease and convenience

### Specifications:

- Minimum Height: 8-1/4"
- Maximum Height: 22" (with adapter)
- Extension Screw: 3-7/8"
- Handle Length: 47-3/8"
- Size: 22-7/8" L x 12-1/2" W
- Hydraulic Range: 4-5/8"
- Shipping Weight: 97 lbs.



*The safety alert symbol is used to alert you to potential personal injury hazards. Obey all safety messages that follow this symbol to avoid possible injury or property damage.*

**Read this manual and follow all Safety Rules and Operating Instructions before using this product.**

## SAFETY AND GENERAL INFORMATION

**Save these instructions.** For your safety, read, understand, and follow the information provided with and on this device before using. The owner and/or operator shall have an understanding of the device, its operating characteristics and safety operating instructions before operating the equipment. The owner and/or operator shall be aware that use and repair of this product may require special skills and knowledge. Instructions and safety information shall be read to and discussed with the operator in the operator's native language, making sure that the operator comprehends their contents, before use of this equipment is authorized. If any doubt exists as to the safe and proper use of this device, remove from service immediately.

**Inspect before each use.** Do not use if abnormal conditions such as cracked welds, damaged, loose or missing parts are noted. Any equipment that appears damaged in any way, is found to be worn, or operates abnormally shall be removed from service until repaired. If the equipment has been or is suspected to have been subjected to an abnormal load or shock, immediately discontinue use until inspected by a factory authorized repair facility (contact distributor or manufacturer for list of authorized repair facilities). It is recommended that an annual inspection be made by an authorized repair facility. Labels and Operator's Manuals are available from the manufacturer.

## PRODUCT DESCRIPTION

Hydraulic Axle Jacks are designed to lift, but not support, rated capacity partial vehicle loads consisting of one end of a vehicle. Immediately after lifting, support loads with a pair of appropriately rated jack stands.

## PREPARATION

Reference replacement parts pages 6 and 7 for parts location & assembly sequence. Assemble, align and insert the handle assembly and handle position bar into the handle sleeve, then tighten the bolt on handle sleeve to prevent accidental removal of handle while in use.

### Before Use

1. Verify that the product and application are compatible, if in doubt call ATD Tools, Inc. Technical Service at 888-332-6419.
2. Before using this product, read the operator's manual completely and familiarize yourself thoroughly with the product, its components and recognize the hazards associated with its use.
3. To familiarize yourself with basic operation, locate and turn the release valve (handle knob):
  - a. *Clockwise* until firm resistance is felt to further turning. This is the '**CLOSED**' release valve position used to **raise** the load.
  - b. *Counter-clockwise*, no more than 1 full turn from closed position. This is the '**OPEN**' release valve position used to **lower** the load. The further the release valve is turned counter-clockwise, the faster the load descends.
4. With ram fully lowered, remove the oil filler screw. Check oil level. Proper oil level should be just below the rim of the opening. Reinstall the oil filler screw.
5. Pour a teaspoon of good quality air tool lubricant into the air supply inlet of the lift control valve. Connect to air supply, then squeeze the lift control valve for 3 seconds to evenly distribute lubricant.

**NOTICE:** *These models are equipped with 1/4" NPT air couplers. If installing a different air coupler, ensure thread tape or compound is used on connections. To ensure dependable, trouble free operation an inline air dryer and oiler is recommended.*

6. Ensure that jack rolls freely. Raise and lower the unloaded ram throughout the lifting range before putting into service to ensure the jack operates smoothly. Replace worn or damaged parts and assemblies with ATD Tools, Inc. authorized replacement parts only.

### Bleeding/Venting Trapped Air

1. Open oil filler plug.
2. Open release valve.
3. Activate air motor to vent air.
4. Remove set screw and use a screw driver to hold down check ball while, very slowly pumping air motor until oil exiting from screw hole is steady without bubbles.
5. Reinstall set screw approximately two turns into hole (do not fully tighten).
6. Activate air motor a few additional times to vent air, while slowly tightening set screw. Ram should start to raise as screw is fully tightened.
7. Check oil level and reinstall filler plug.

## SPECIFICATIONS

Model	Capacity	Jack Size (L x W)	Min. Height	Max. Height	Hyd. Range	Extension Screw
ATD-7328	22 Ton	22-7/8" x 12-1/2"	8-1/4"	22" (With adapter)	4-5/8"	3-7/8"

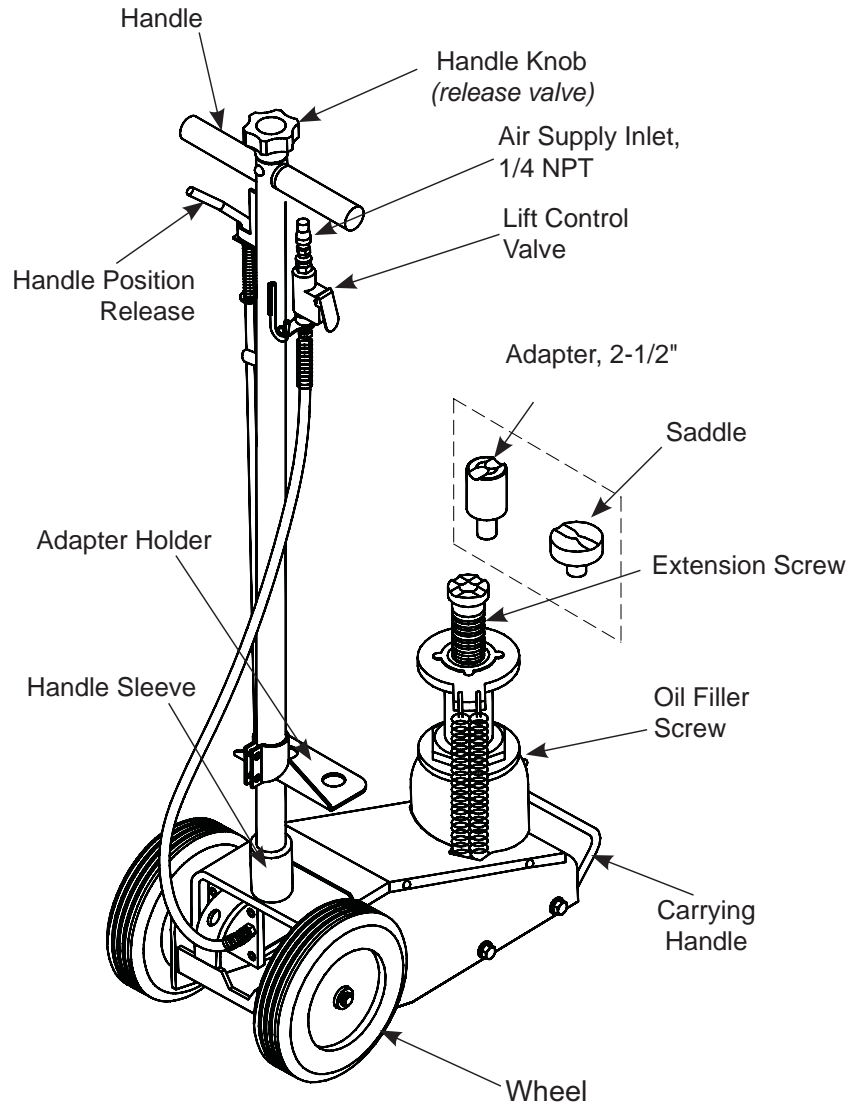


Figure 1 - Typical Truck Jack Nomenclature

## WARNING

- Study, understand, and follow all instructions before operating this device.
- Do not exceed rated capacity.
- Use only on hard, level surface.
- Lifting device only. Immediately after lifting, support the vehicle with appropriate means.
- Do not move or dolly the vehicle while on the jack.
- Lift only on areas of the vehicle as specified by the vehicle manufacturer.
- No alterations shall be made to this product.
- Failure to heed these markings may result in personal injury and/or property damage.

## WARNING



To avoid **crushing and related injuries**:

- **Never** work on, under or around a load supported only by hydraulic jack.
- **Always** use adequately rated jack stands.
- Chock each unlifted tire in both directions.
- **Do not** use this device to lift, level, lower, support or move a house, mobile home, travel trailer, camper or any building structure.
- **Be alert and sober** when using this product. Do not operate under the influence of drugs or alcohol.



The wheels provided with this jack are for positioning the jack under a load **ONLY!** The wheels are **not** load wheels. Do not try to dolly or move the vehicle with the jack!

## OPERATION (see Fig 1)

### Lifting

**Note:** The jack is equipped with handle position lock. To adjust the handle, release lock device by pulling the lever up, lever is spring loaded and will lock into desired position. Ensure lever locking mechanism is fully engaged before lifting.

1. Connect adequate air source to the air supply inlet.
2. Follow the vehicle manufacturer's recommended guidelines for lifting. Engage the emergency brake and chock each unlifted wheel in both directions to prevent inadvertent vehicle movement.
3. Close the release valve by turning the handle knob clockwise until firm resistance is felt.
4. Center jack saddle under lift point, then squeeze the lift control valve until saddle contacts the lift point. To lift, continue squeezing the lift control valve until load reaches desired height. Simply release your grip on the lift control valve to end lift event.
5. Transfer the load **immediately** to appropriately rated jack stands.



**WARNING:** Only attachments and/or adapters supplied by the manufacturer shall be used. Lift only on area of the vehicle as specified by the vehicle manufacturer.



**WARNING: NEVER use hydraulic jack as a stand alone device! ALWAYS transfer the lifted load IMMEDIATELY to a pair of appropriately rated jack stands. Use one pair of jack stands per vehicle. Rated capacity is per pair only! Do not exceed rated capacity.**

### Lowering



**WARNING:** Be sure all tools and personnel are clear before lowering load. **Slowly open the release valve!** The more you turn the handle knob counter-clockwise, the faster the load will come down. **Maintain control** of the rate of speed at which the load lowers at all times!

1. Raise load high enough to clear the jack stands.
2. Remove jack stands carefully (**always used in pairs**).
3. **Slowly** turn handle knob counter-clockwise, but no more than 1 full turn and slowly lower the load.
4. After removing jack from under the vehicle, fully retract the jack to reduce ram exposure to rust and contamination.

## MAINTENANCE

**Important:** Use only good grade hydraulic jack oil. Avoid mixing different types of fluid and NEVER use brake fluid, turbine oil, transmission fluid, motor oil or glycerin. Improper fluid can cause premature failure of the jack and the potential for sudden and immediate loss of load. We recommend premium hydraulic oil or equivalent.

### Adding/ Changing Oil

For best performance and longest life, replace the complete fluid supply at least once per year.

1. With saddle fully lowered remove cover plate, then oil filler screw.
2. Lay jack on its side and drain fluid into a suitable container.

**NOTICE:** *Dispose of hydraulic fluid in accordance with local environmental regulations.*

3. Set jack in its upright, level position.
4. Fill with oil. Proper oil level is just below the rim of the opening. Reinstall the oil filler screw.
5. Perform **Bleeding/Venting Trapped Air** procedure (page 2 & 3).

### Lubrication

A periodic coating of light lubricating oil to pivot points, axles and hinges will help to prevent rust and assure that wheels move freely and the pump functions smoothly. To help ensure trouble free operation, an inline air dryer and oiler is recommended.

### Cleaning

Periodically check the ram for signs of rust or corrosion. Clean as needed and wipe with an oily cloth.

**Note:** Never use sandpaper or abrasive material on ram surfaces!

### Storage

When not in use, store the jack with saddle fully lowered.

## REPLACEMENT PARTS

Not all components of the jack are replacement items, but are illustrated as a convenient reference of location and position in the assembly sequence. When ordering parts, please give the Model number, part number and parts description.

## TROUBLESHOOTING

Symptom	Possible Causes	Corrective Action
Jack will not lift load	<ul style="list-style-type: none"><li>• Release valve not tightly closed</li><li>• Load is too heavy</li><li>• Air supply inadequate</li></ul>	<ul style="list-style-type: none"><li>• Ensure release valve tightly closed</li><li>• Consider higher capacity jack</li><li>• Ensure adequate air supply</li></ul>
Jack will lift, but not maintain pressure	<ul style="list-style-type: none"><li>• Release valve not tightly closed</li><li>• Hydraulic unit malfunction</li></ul>	<ul style="list-style-type: none"><li>• Ensure release valve tightly closed</li><li>• Discontinue use, contact ATD Tools Technical Service at 888-332-6419.</li></ul>
Jack will not lower after unloading	<ul style="list-style-type: none"><li>• Reservoir overfilled</li><li>• Linkages binding</li></ul>	<ul style="list-style-type: none"><li>• Drain fluid to proper level</li><li>• Clean and lubricate moving parts</li></ul>
Poor lift performance	<ul style="list-style-type: none"><li>• Fluid level low</li><li>• Air trapped in system</li></ul>	<ul style="list-style-type: none"><li>• Ensure proper fluid level</li><li>• Follow <b>Bleeding/Venting Trapped Air</b> procedure on page 2</li></ul>
Will not lift to full extension	<ul style="list-style-type: none"><li>• Fluid level low</li></ul>	<ul style="list-style-type: none"><li>• Ensure proper fluid level</li></ul>

**Replacement Parts for model ATD-7328:**

Item	Part No.	Description	Qty
1	A09-4-2200-106	Handle Assembly	1
2	506-9-0280-104	Handle Grip	2
3	421-6-2202-209	Knob	1
4	601-4-0040-034	Spring Pin	1
5	653-1-0100-308	Bolt	1
6	605-3-0100-203	Washer, Lock	5
7	A09-6-1301-109	Handle Sleeve	1
8	A09-6-3221-101	Cover Plate	1
9	609-1-0050-10911	Screw	4
10	A09-4-3400-109	Wheel	2
11	511-3-0130-010	Washer	2
12	667-5-0127-005	C-clip	2
13	G53-3-2000-205	Air Motor	1
14	653-1-0100-106	Bolt	4
15	515-3-0140-103	Copper Gasket	1
16	A22-4-2040-107	Air Hose Assembly	1
17	507-9-0064-013	Air Hose	1
18	A27-3-2050-109	Lift Control Valve	1
19	A24-6-8101-107	Air Coupler, Male, 1/4 NPT	1
20	A07-3-3300-307	Release Valve Cable	1

Item	Part No.	Description	Qty
21	A09-5-1701-105	Release Valve	1
22	554-7-0062-007	Oil Seal	1
23	649-1-0050-019	Screw	1
24	653-1-0080-02511	Screw	2
25	661-2-0080-023	Nut	2
26	324-4-1900-208	Filler Screw	1
27	523-2-0196-016	Spring	4
28	A07-5-1101-101	Extension Screw	1
29	A07-5-1108-105	Saddle	1
30	A07-5-1802-101	Spring Plate	1
31	A07-4-2900-100	Air Filter	1
32	A09-3-9901-206	Repair Kit (includes #15, #22 & A-K)	-
33	A27-3-2200-102	Piston, Air Motor #13	1
34	A09-1-1005-105	Hydraulic Unit (does NOT include #20, #27 and #30)	1
35	A09-6-3230-102	Wheel Axle	2
36	A09-6-3124-104	Base Plate	1
37	A09-6-1104-107	Adapter Holder	1
38	A07-6-1109-103	Adapter, 2-1/2"	1

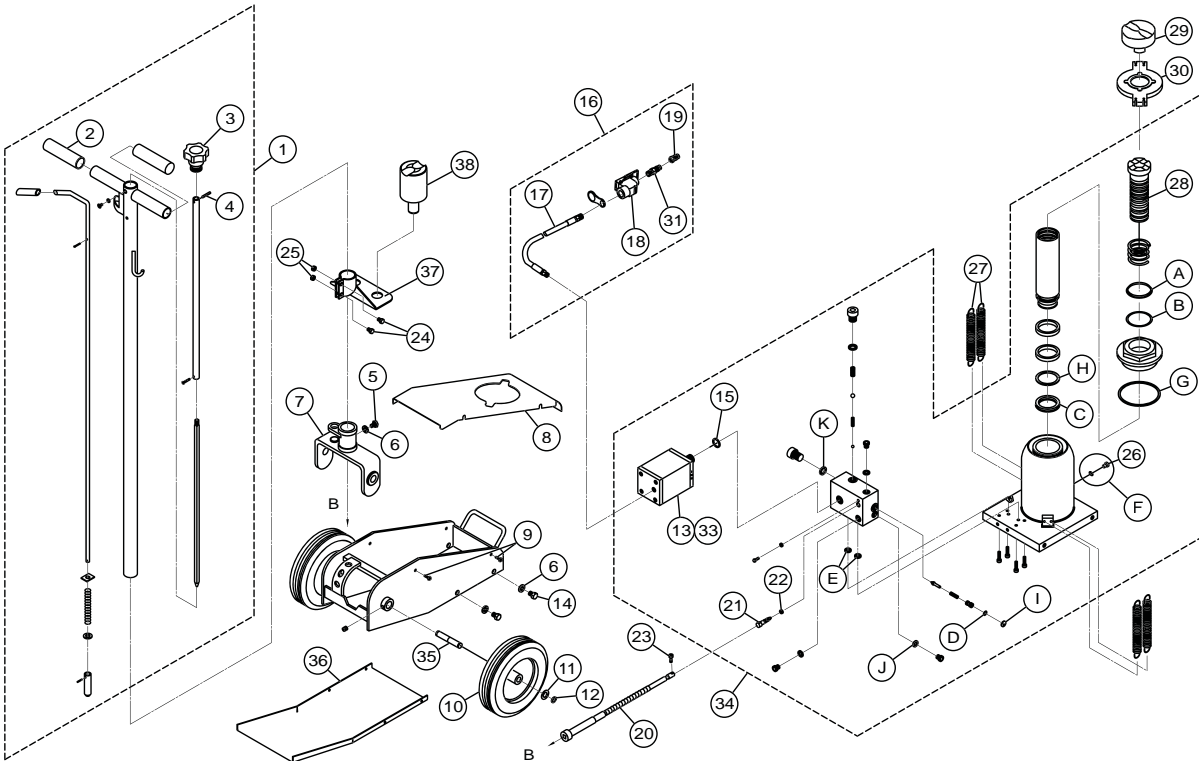


Figure 2 - Replacement Parts Illustration for Model ATD-7328



**WARRANTY**  
**1 YEAR LIMITED WARRANTY**

**THIS WARRANTY AND CONFIRMED RECEIPT(S) SHOULD BE RETAINED BY THE CUSTOMER AT ALL TIMES**

PURCHASED FROM: \_\_\_\_\_

DATE PURCHASED: \_\_\_\_\_

INVOICE/RECEIPT NUMBER: \_\_\_\_\_

Your ATD-7328 is warranted for a period of 12 months from the original purchase date.

For a period of one (1) year from your purchase date, ATD Tools Inc. will repair or replace (at its option) without charge, your ATD product if it was purchased new and the product has failed due to a defect in material or workmanship which you experienced during normal use of the product. This limited warranty is your exclusive remedy.

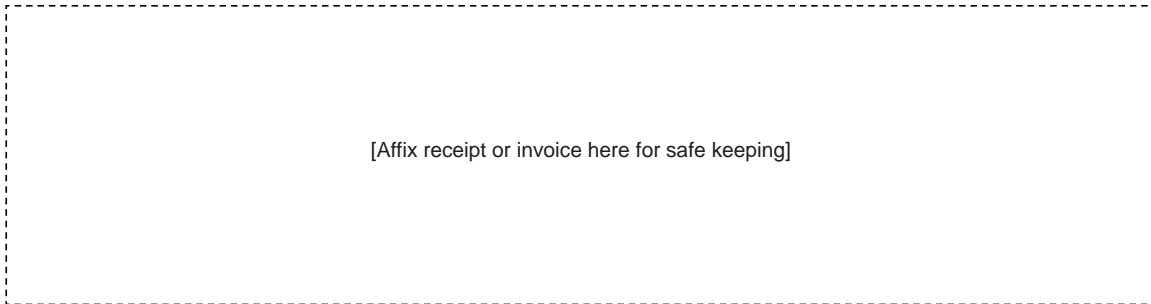
To access the benefits of this warranty, contact your supplier, or point of sale directly. You may be advised to return the product under warranty, freight prepaid, to your supplier for warranty determination.

If this ATD product is altered, abused, misused, modified, or undergoes service by an unauthorized technician, your warranty will be void. We are not responsible for damage to ornamental designs you place on this ATD product and such ornamentation should not cover any warnings or instructions or they may void the warranty. This warranty does not cover scratches, superficial dents, and other abrasions to the paint finish that occur under normal use. It also does not cover normal wear items such as but not limited to brushes, batteries, drill bits, drill chucks, pads or blades.

Subject to the law in your state:

- (1) Your sole and exclusive remedy is repair or replacement of the defective product as described above.
- (2) ATD is not liable for any incidental damages, including but not limited to, lost profits and unforeseeable consequences.
- (3) The repair and replacement of this product under the express limited warranty described above is your exclusive remedy and is provided in lieu of all other warranties, express or implied. All other warranties, including implied warranties and warranties of merchantability or fitness for a particular purpose are disclaimed and, if disclaimer is prohibited, these warranties are limited to one year from your date of purchase of this product.

Some states' laws do not allow limited durations on certain implied warranties and some states' laws do not allow limitations on incidental or consequential damages. You should consult the law in your state to determine how your rights may vary.



[Affix receipt or invoice here for safe keeping]