



ATD-1000 Dual 500W Quartz Halogen Work Light on Tripod Stand



Features:

- This halogen work light is great for on the job or at home
- Long-lasting, bright quartz-halogen bulb
- Wide, stable base
- Telescoping stand extends from 39" to 79"
- Insulated handle for carrying and easy angle adjustment
- Tempered glass lens with protective steel grill
- Weatherproof on/off switch

Specifications:

- Bulb: 500-Watt quartz-halogen (included)
- Voltage: 120V
- Cord: 72" 18/3 SJTW
- UL listed



WARNING



WARNING: This product contains chemicals, including lead, known to the State of California to cause cancer, birth defects or other reproductive harm. *Wash hands after handling.*

READ ALL INSTRUCTIONS BEFORE OPERATING

Thank you for purchasing your ATD Halogen Light. Before attempting to operate your new Halogen Light, please read these instructions thoroughly. You will need these instructions for the safety warnings, precautions, and assembly, operation and maintenance procedures.

SAFETY

- For additional safety when using this tripod light, it is advisable that the legs be suitably weighted down in order to prevent the unit from tipping over and causing damage to individuals or property.
- Before moving your halogen light or replacing a broken part, always make sure that the cord is unplugged and that the light has cooled.
- This unit must not be immersed in water.
- Do not install this unit within six feet of combustible material. The lamp housing can exceed temperatures of 230° F.
- Do not move your halogen light or replace bulbs or broken parts with wet hands, or when standing on a wet or damp surface or in water. Always make sure the power cord is unplugged before performing any maintenance.
- Do not use this lamp in hazardous locations such as flammable or explosive environments.
- Do not sit directly in front of this unit, as the high operating temperatures can burn the skin.
- Do not look directly into the lamp when switched on as this can damage the eyes.
- If used with an extension cord always make sure that the extension cord is fully unwound.
- We recommend that a ground fault interrupter (GFI) is used with your ATD Halogen Light.
- Do not use this unit if it has a broken lens, casing or damaged power cord.

Bulb Replacement / Adjusting your Lamp

Unscrew the top screw in the lamp housing cover and install the halogen bulb as follows:

1. Holding the bulb with a soft cloth carefully locate one end of the bulb into the ceramic mounting. While pushing the end of the bulb against the metal pins, gently slide the other end of the bulb into position in the other ceramic mounting until it is secure. Do not use force when installing the bulb.

NOTE: DO NOT TOUCH THE BULB WITH FINGERS, this will cause damage. If it has been touched, wipe it carefully with a soft cloth dampened with methylated spirits.

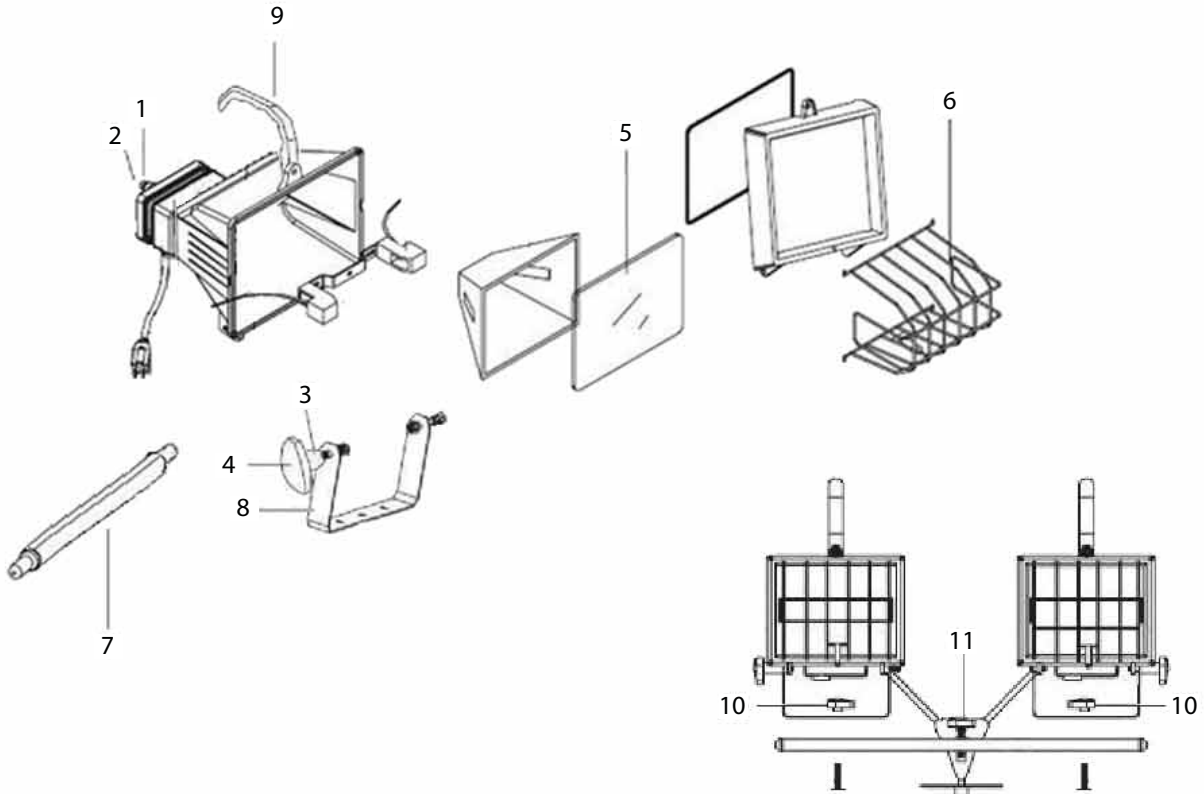
2. When the bulb is in position, replace the lamp housing and firmly screw into place.
3. To alter the angle of the lamps, loosen the black knob on either side of the black mounting bracket, move the lamp to the required angle, then tighten the two knobs to hold the lamp securely.
4. To extend tripod: Twist black knobs in counter clockwise direction, extend post to desired level and re-tighten knob by twisting clockwise. Use only your hand to adjust. Do not use wrench or pliers.
5. Adjust tripod legs: Loosen knob on top bracket. Slide legs down to desired level and retighten knob. Put weights on tripod legs if ground is uneven or wind is blowing.
6. When the bulb is in position, replace the lamp housing and firmly screw into place.

Troubleshooting

Symptom	Possible Cause	Corrective Action
Lamp will not operate	Bulb broken	Replace bulb
	Poor contact between lamp and socket	Check to see if lamp is securely installed into socket
	Improper wiring	Have unit checked by a qualified electrician
	Incorrect voltage; voltage at fixture too high/low	Have power supply checked by a qualified electrician



ATD-1000



ITEM#	ORDERING PART#	PART DESCRIPTION
1	PRT500-01-02	SWITCH WITH COVER
2	PRT500-01-02	SWITCH WITH COVER
3	PRT1000-03-04	KNOB WITH ADJUSTING WASHER
4	PRT1000-03-04	KNOB WITH ADJUSTING WASHER
5	PRT500-05	GLASS LENS
6	PRT500-06	GUARD
7	PRT500-07	BULB
8	PRT1000-08	MOUNTING BRACKET
9	PRT1000-09	HANDLE
10	PRT1000-10	KNOB, FEMALE THREAD
11	PRT1000-11	KNOB, MALE THREAD

