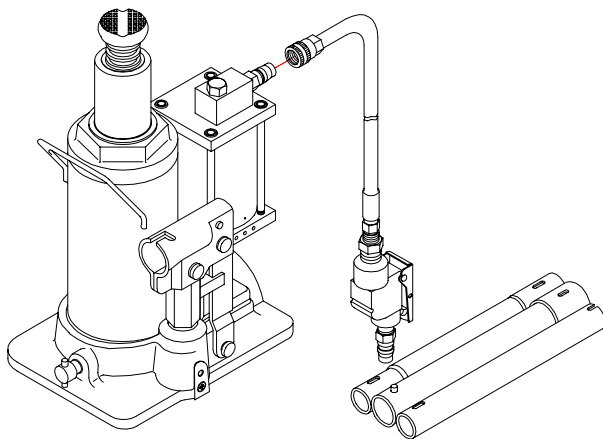


ATD TOOLS, INC.

PRODUCT SPECIFICATIONS

MODEL #:	7371
DESCRIPTION:	AIR / MANUAL HYDRAULIC BOTTLE JACK
CAPACITY:	20 TON
JACK SIZE:	8 7/8" (L) X 6 3/4" (W)
MIN. HEIGHT:	9 1/2"
MAX. HEIGHT:	18 1/4"
SCREW EXT.:	3 1/8"
HANDLE LENGTH:	23 5/8"
OPERATING FORCE:	86.0 LBS
SADDLE DIM.:	2"
VOLUME OF HD. OIL:	525 C.C.
AIR PRESSURE REQUIRED:	90 - 175 PSI
REQUIRED HP OF AIR COMP.:	3 HP
AIR CONSUMPTION:	7.8 CUFT/MIN. (FOR FULL LIFT)
NET WEIGHT:	35.2 LBS
GROSS WEIGHT:	36.3 LBS
CARTON DIM.:	10" (L) X 7 3/4" (W) X 11" (H)
CUFT.:	0.48 CUFT (1090 PCs/ 20' CTN)



FEATURE

- MEETS ASME/ANSI - PALD SAFETY STANDARDS
- MAX. HT. UP TO 18 1/4"
- LIFTING RANGE: 9 1/2" TO 18 1/4"
- PROVIDE QUICK, EFFORTLESS LIFTS OF RATED CAPACITY LOADS
- PATENTED BUILT-IN BY-PASS DEVICE MECHANISM



SPARE PARTS LIST

Model # Atd-7371

ITEM	PARTCODE	DESCRIPTION	QTY
1	*	ext. screw assy.	1
2	*	o-ring	1
3	*	top nut	1
4	*	gasket (upper)	1
5	324-4-1900-208	oil filler screw assy.	1
6	A20-3-1812-200	reservoir assy.	1
7	*	cylinder	1
8	577-7-0654-100	back-up ring	1
9	*	piston rod	1
10	A07-6-1209-107	ram bearing	1
12	*	back-up ring	1
13	*	u-cup ring	1
14	*	oil seal	1
15	*	base	1
16	*	filter	1
17	*	oil seal	1
18	238-6-1701-403	release valve	1
19	101-6-1603-108	screw	2
20	601-7-0006-005	steel ball	2
21	A20-4-1500-106	hyd. cartridge assy.	1
22	137-4-1500-203	hyd. cartridge assy.	1
23	*	oil seal	1
24	531-3-0190-014	washer	1
25	267-6-1401-105	pump cylinder	1
26	*	oil seal assy.	1
27	*	o-ring	1
28	A20-6-1306-102	pump piston	1
29	518-4-0070-307	pin	2
30	511-5-0012-016	snap pin	2
31	181-3-1300-409	handle sleeve assy.	1
32	181-3-2100-103	handle assy.	1
34-1	A27-3-2000-104	air motor	1
34-2	A20-3-1900-106	air inlet swivel	1
34-3	A24-6-8101-107	quick coupler - male	2
34-4	A24-3-8200-101	quick coupler - female	1
34-5	507-9-0064-013	hose assy.	1
34-6	A24-3-2050-108	air inlet control valve	1
35	A07-6-1209-208	ram bearing	1
36	*	o-ring	1
37	511-7-0090-403	o-ring	1
38	324-6-1902-305	filler screw	1
39	*	oil seal	1

* part is not available

