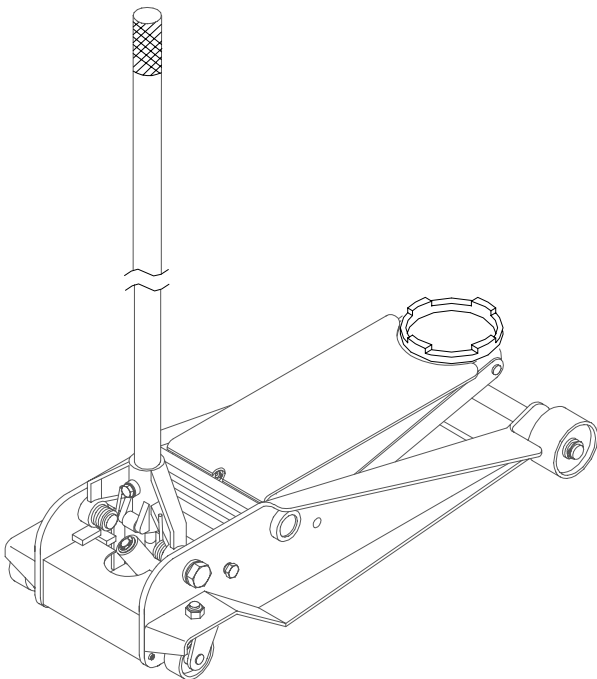


ATD TOOLS, INC.

PRODUCT SPECIFICATIONS

MODEL #:	7353
DESCRIPTION:	HEAVY DUTY <i>Speedy Lift</i> SUV SERVICE JACK
CAPACITY:	3 TON
JACK SIZE:	31 7/8" (L) X 15 3/8" (W) X 7 3/8" (H)
SADDLE MIN. HEIGHT:	4"
SADDLE MAX. HEIGHT:	23"
FIRST PUMP LIFTING HEIGHT:	10 5/8" (NO LOAD)
HANDLE LENGTH:	49 7/8"
OPERATING FORCE:	158.4 LBS
SADDLE DIA.:	5 1/2"
F. WHEEL DIA.:	3 5/8"
F. WHEEL WIDTH:	2 1/4"
CASTER DIA.:	2 3/4"
VOLUME OF HD. OIL:	330 C.C.
NET WEIGHT:	135.6 LBS
GROSS WEIGHT:	142.6 LBS
CARTON BOX DIM.:	36 1/4" (L) X 16 1/2" (W) X 9 1/2" (H)
CUFT.:	3.2 CUFT (270 PCs/ 20' CTN)



FEATURE

- MEETS ASME/ANSI - PALD SAFETY STANDARDS
- MAGIC LIFT™ PUMPING SYSTEM
- LIFTING RANGE: 4" TO 23"
- U-JOINT RELEASE SYSTEM
- EXTRA HEAVY-DUTY WELDED STEEL CHASSIS
- PATENTED BUILT-IN BY-PASS DEVICE MECHANISM



SPARE PARTS LIST

Model # Atd-7353

ITEM	PARTCODE	DESCRIPTION	QTY	ITEM	PARTCODE	DESCRIPTION	QTY
1	*	base	1	55	*	o-ring	2
2	*	o-ring	1				
3	G593-03004-000	washer	1	56	G610-03003-200	pump cylinder	1
4	5305-00006-000	washer	1	57	*	back-up washer	1
5	B120-10003-000	filter	2	58	*	o-ring	1
				59	G610-03004-000	pump piston	1
6	G593-03003-000	wahser	1	60	5305-00015-000	washer	1
7	*	ram plunger	1				
8	5311-00020-000	washer	1	61	5308-00017-000	washer	1
9	G596-04102-000	guide ring	1	62	G610-03007-000	spring casing	1
10	*	back-up washer	1	63	G610-03005-000	spring	1
				64	G610-03006-000	spring casing	1
11	*	o-ring	1	65	5109-10010-000	screw	3
12	5308-00015-000	washer	1				
13	*	u-cup for ram	1	66	G62S-00002-000	return spring	2
14	*	back up washer	1	67	5304-00016-000	washer	4
15	G593-03001-000	bushing cover	1	68	*	radius link	2
				69	G080-00001-100	saddle	1
16	*	ram plunger	1	70	*	radius link axle	1
17	*	o-ring	1				
18	*	back-up washer	1	71	*	lift arm	1
19	*	cylinder	1	72	G62S-00001-000	lift arm axle	1
20	*	o-ring	2	73	5701-00006-000	grease fitting nipple	1
				74	5404-04040-000	retainer	1
21	G62S-03002-000	reservoir	1	75	G610-05000-000	universal joint assy.	1
22	*	washer	4				
23	G62S-03311-000	air vent screw assy.	1	76	G610-00015-000	screw	1
24	*	washer	1	77	G610-06002-000	bolt	1
25	*	washer	1	78	G610-06003-000	trolley	1
				79	5303-00008-000	lock washer	1
26	*	washer	1	80	5102-08016-000	bolt	1
27	*	washer	1				
28	*	washer	1	81	G610-06008-000	return spring (L)	1
29	*	cap	1	82	G890-00004-000	return spring (R)	1
30	*	top nut	1	83	*	handle fork	1
				84	*	handle fork assy.	1
31	*	o-ring	1	85	G62S-07000-000	caster assy.	2
32	*	back-up washer	1				
33	G593-03009-000	guard screw	1	86	G62S-06000-000	bearing	2
34	G931-07006-000	safety valve screw	1	87	5202-00010-000	nut	2
35	G931-07005-000	spring	1	88	5303-00010-000	lock washer	2
				89	5111-55016-000	screw	2
36	G931-07004-000	valve	1	90	*	frame tie rod (I)	1
37	G610-03001-000	bolt	2				
38	*	back-up washer	2	91	5303-00018-000	lock washer	2
39	G610-03011-000	washer	1	92	5202-00018-000	nut	2
40	*	steel ball	2	93	5303-00020-000	lock washer	2
				94	G610-00009-000	R. H. handle bolt	2
41	*	steel ball	5	95	G62S-00008-000	screw	4
42	*	steel ball	1				
43	G593-03007-000	screw	1	96	5303-00012-000	lock washer	4
44	*	back-up washer	1	97	5309-00026-000	washer	2
45	*	o-ring	1	98	5304-00019-000	snap ring "E"	2
				99	5308-00019-000	washer	2
46	G593-03006-000	spring	1	100	G934-00001-000	front wheel	2
47	G593-03005-000	valve	1				
48	5110-06008-000	screw	1	101	*	R. & L. H side plate	1
49	5303-00006-000	lock washer	1	102	G620-00001-000	cover	1
50	G610-03010-000	washer	1	103	G62S-00007-000	back cover	1
				104	G62S-04000-100	handle assy.	1
51	G610-03008-000	release valve	1	105	G62S-00009-000	plastic block	1
52	*	o-ring	1				
53	G610-03009-000	washer	1	106	G62S-03000-000	hydraulic power unit	1
54	*	back-up washer	2				

* part is not available

