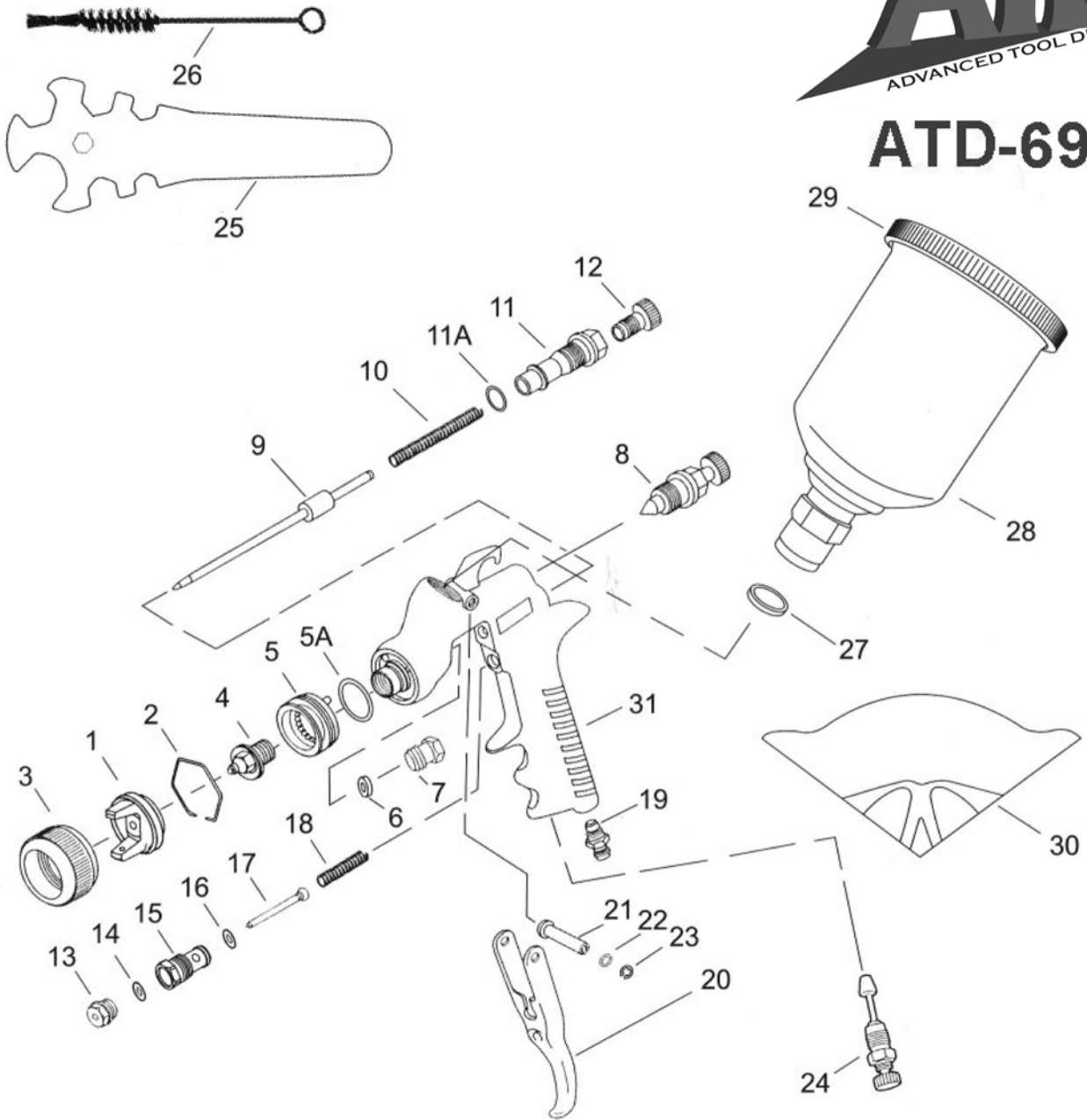


ATD-6910



| ORDERING PART# | ITEM# | PART DESCRIPTION |
|----------------|-------|-------------------------|
| PRT6910-01-03 | 01-03 | AIR CAP ASSY, 1.0mm |
| PRT6910-04 | 04 | FLUID NOZZLE, 1.0mm |
| PRT6910-05-5A | 05-5A | BAFFLE & BAFFLE PACKING |
| PRT6910-06-07 | 06-07 | NEEDLE PACKING ASSY |
| PRT6910-08 | 08 | SPREADER VALVE |
| PRT6910-09 | 09 | NEEDLE, 1.0mm |
| PRT6910-10-12 | 10-12 | NEEDLE ADJUSTING ASSY |
| PRT6910-13-18 | 13-18 | AIR VALVE ASSY |
| PRT6925-12 | 19 | AIR INLET CONNECTOR |

| ORDERING PART# | ITEM# | PART DESCRIPTION |
|----------------|-------|------------------------------------|
| PRT6910-20-23 | 20-23 | TRIGGER ASSY |
| PRT6910-24 | 24 | AIR ADJUSTMENT VALVE ASSY |
| PRT6925-TK | 25-26 | SPANNER & BRUSH |
| PRT6910-27 | 27 | CUP PACKING |
| PRT6910-28-29 | 28-29 | 150cc ALUMINUM CUP W/LID |
| PRT6910-29 | 29 | CUP LID |
| PRT6910-30 | 30 | NYLON MESH PAINT STRAINER |
| PRT6910-31 | 31 | GUN BODY |
| PRT6910-RK | | REPAIR KIT (ALL SEALS AND SPRINGS) |